



Manual Radiator Valves



ANGLE & STRAIGHT TYPES
NORMAL & LOCKSHIELD

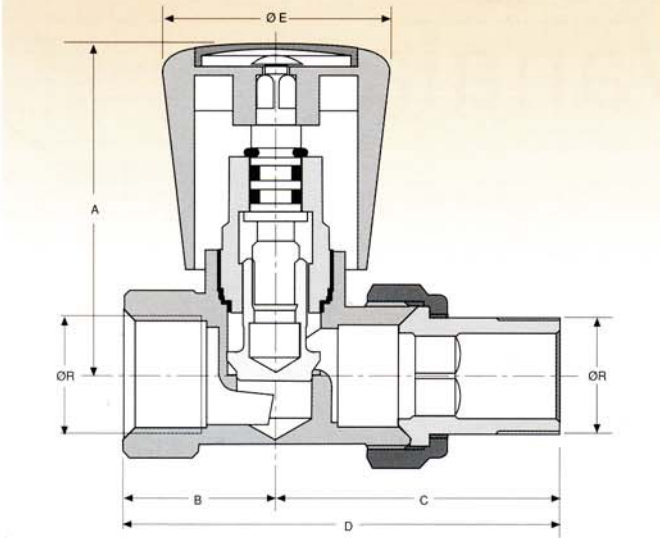
ALARKO Radiator Valves

Normal (Inlet) Radiator Valves

- Hot forged brass body
- Surfaces are nickel plated
- Two EPDM O-ring, fibre washer and seals
- Static pressure PN10

- Media temperature max. 120°C
- Handwheel material is white, ABS plastics
- %100 leak test in the electronic test unit

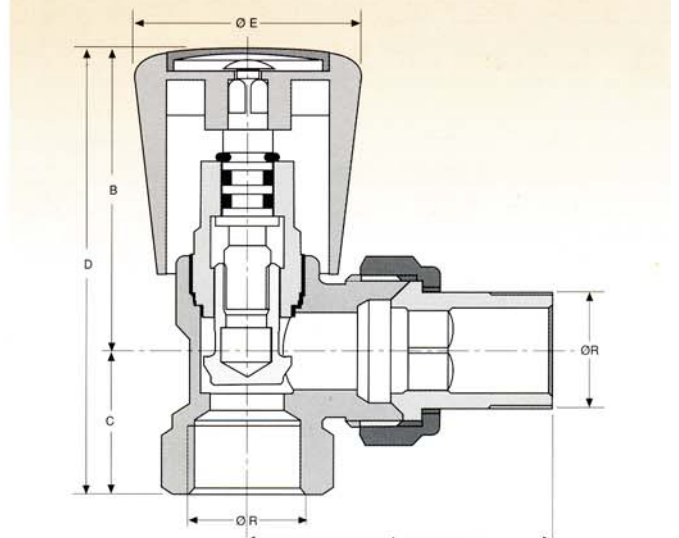
Straight Radiator Valve



Dimensions (mm)

ØR	A	B	C	D	ØE
1/2"	58	26	52	78	40

Angle Radiator Valve



Dimensions (mm)

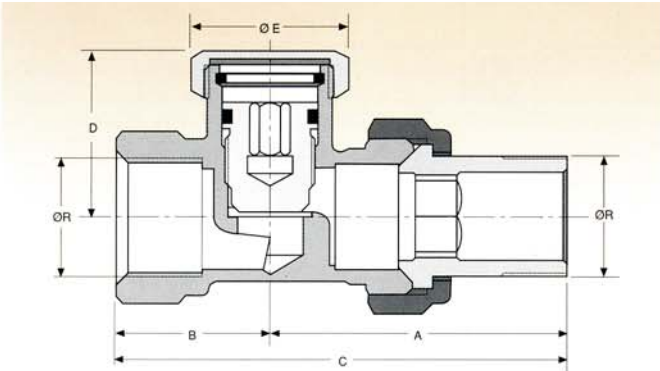
ØR	A	B	C	D	ØE
1/2"	54	53	25	78	40

Lockshield (Outlet) Radiator Valves

- Hot forged brass body
- Surfaces are nickel plated
- Two EPDM O-ring, fibre washer and seals
- Static pressure PN10

- Media temperature max. 120°C
- Handwheel material is white, ABS plastics
- %100 leak test in the electronic test unit

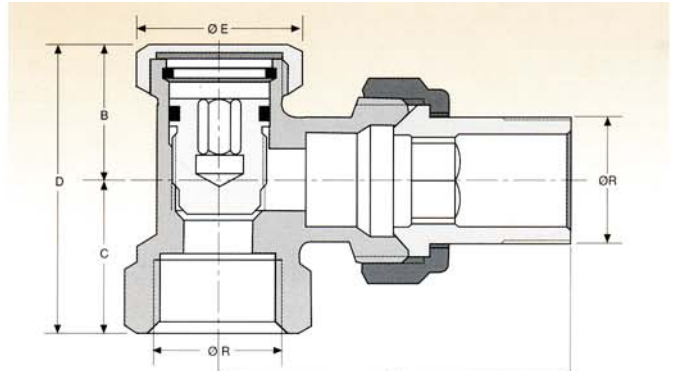
Straight Radiator Valve



Dimensions (mm)

ØR	A	B	C	D	ØE
1/2"	51	26	77	28,5	24

Angle Radiator Valve



Dimensions (mm)

ØR	A	B	C	D	ØE
1/2"	57	21,5	25	46,5	24

The right to amend specifications under technologic developments is reserved



ALARKO CARRIER
SANAYİ VE TİCARET A.Ş.

GOSB-Gebze Organize Sanayi Bölgesi
Şahabettin Bilgisu Cad. 41480 Gebze-Kocaeli/TURKEY

Phone : (90)(262) 648 60 00 PBX

Telefax : (90)(262) 648 61 01

web : www.alarko-carrier.com.tr

e-mail : info@alarko-carrier.com.tr

